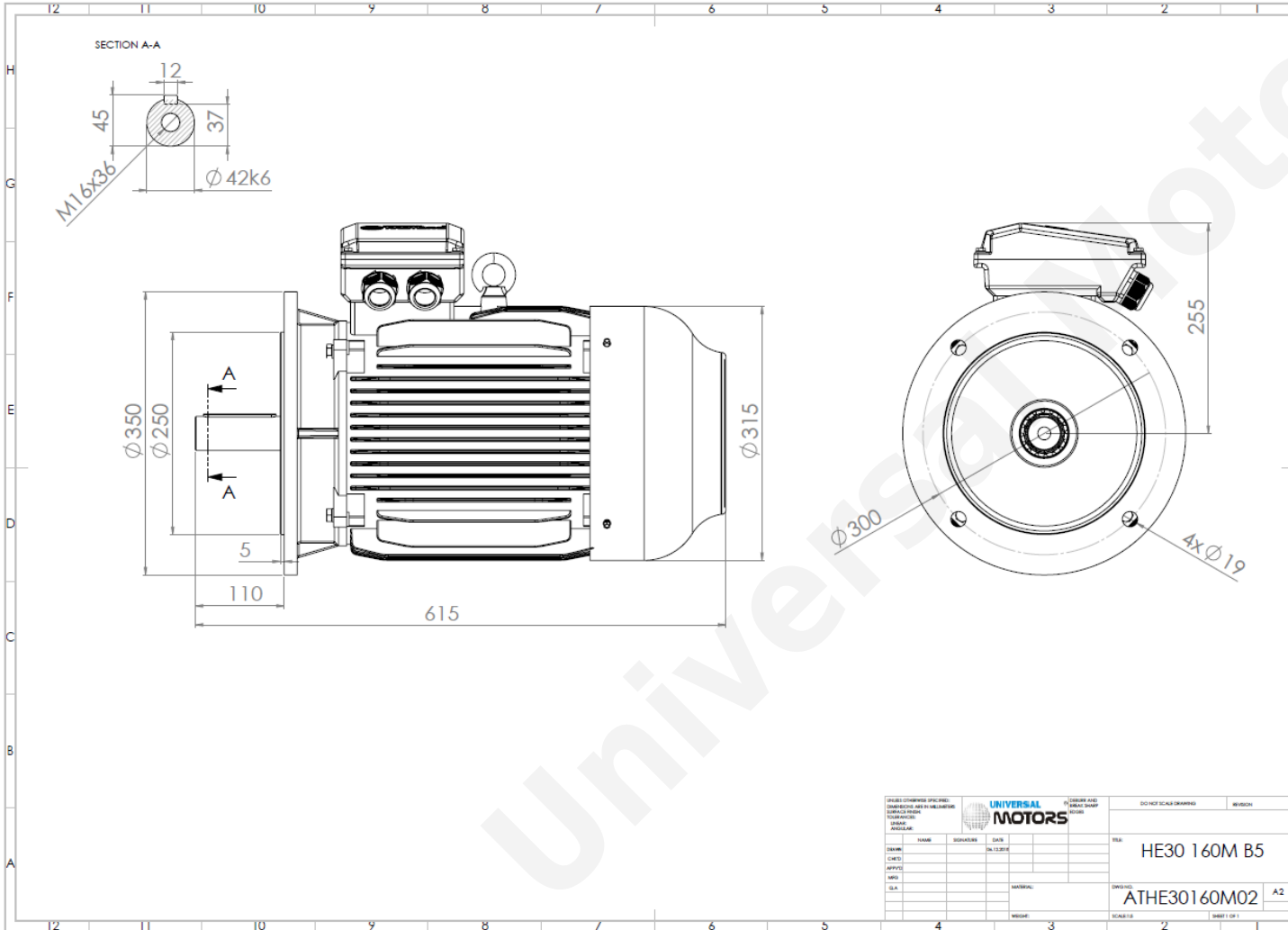




TECHNICAL DATA

Three Phase Electric Motors - Cast Iron Frame
 HE30 160 M1 4 IE2
 11 kW / 15 Cv
 1470 RPM



Motor type:	HE30 160 M1 4 IE2
Output:	11 kW / 15 Cv
Speed (min ⁻¹):	1470 RPM
Frequency:	50 Hz
Voltage:	400 V
Current:	20.8 A
Power factor (Cos Ø):	0.85
Poles:	4
Insulation class:	F
Temperature rise Class:	B
Efficiency 50%:	89.4 %
Efficiency 75%:	90.3 %
Efficiency 100%:	89.8 %
Torque:	71 N.m
Tstarting/Tnominal:	2.2
Istarting/Inominal:	7.9
Tmaximum/Tnominal:	2.3
Noise:	62 Db(A)
Weight:	150 Kg
Bearing DE:	6309 C3
Bearing NDE:	6309 C3

UNIVERSAL MOTORS		DO NOT SCALE DRAWING	REVISION
DESIGNER	DATE	SCALE	
CHECKED			
APPROVED			
DATE			
SCALE			
TITLE: HE30 160M B5		DRAWING NO: ATHE30160M02 A2	
SHEET 1 OF 1			

Regime - S1

Altitude - 1000m

Environment Temperature - 40°C

CONTACTS:

UNIVERSAL MOTORS Tel: +351 252 299 080
 Rua de São Brás,745 Fax: +351 252 299 089
 4480-782 VILA DO CONDE Mail: geral@universalmotors.pt

* References applied only in the UK